



บริษัท อุดมกิจ ฟิตติ้ง วาล์ว จำกัด

UDOMKIT FITTING VALVE CO., LTD.

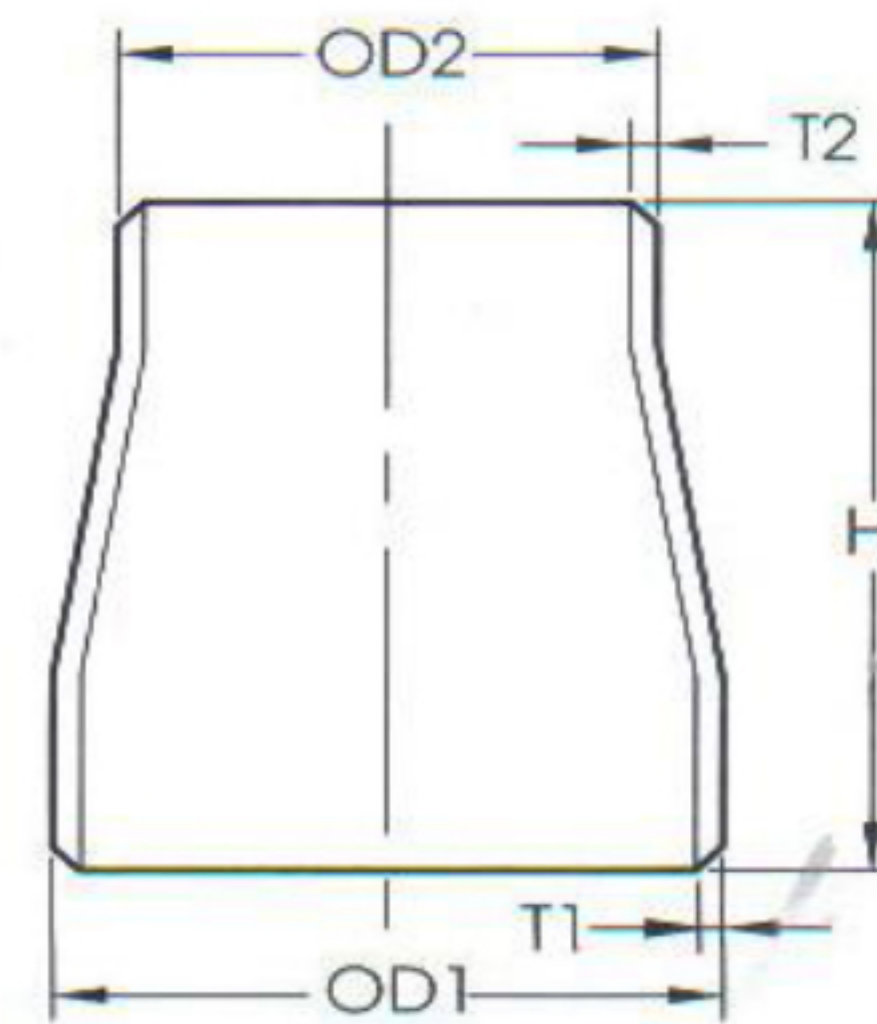
12/4 ซอยสุขสวัสดิ์ 15/1 ถนนสุขสวัสดิ์ แขวงบางปะกอก เขตราษฎร์บูรณะ กรุงเทพฯ 10140

โทร. 02-4282114 แฟกซ์ 02-4282125

E-mail : ugroups@hotmail.com Website : <http://www.udomkit.com>

ศูนย์รวมอุปกรณ์ ท่อ วาล์ว และวัสดุโรงงานทุกชนิด

CON. REDUCERS STAINLESS GRADE 304#40/316#40



| Dimension (Unit : mm) | | | | | | | Weight (Unit : Kg) | | |
|-----------------------|--------|--------------|-------|------------------------|------|----------|--------------------|--------|---------|
| Nominal Pipe Size | | Outside Dia. | | Wall Thickness (T1,T2) | | Length H | Nominal Pipe Size | | Sch.40S |
| in | mm | OD1 | OD2 | T1 | T2 | | in | mm | |
| 3/4x1.1/2 | 20x15 | 26.25 | 21.00 | 2.83 | 2.73 | 37.50 | 3/4x1.1/2 | 20x15 | 0.105 |
| 1x1/2 | 25x15 | 32.88 | 21.00 | 3.33 | 2.73 | 50.00 | 1x1/2 | 25x15 | 0.105 |
| 1x3/4 | 25x20 | 32.88 | 26.25 | 3.33 | 2.83 | 50.00 | 1x3/4 | 25x20 | 0.116 |
| 1.1/4x1 | 32x25 | 41.50 | 32.88 | 3.50 | 3.33 | 50.00 | 1.1/4x1 | 32x25 | 0.157 |
| 1.1/2x1/2 | 40x15 | 47.50 | 21.00 | 3.63 | 2.73 | 62.50 | 1.1/2x1/2 | 40x15 | 0.204 |
| 1.1/2x3/4 | 40x20 | 47.50 | 26.25 | 3.63 | 2.83 | 62.50 | 1.1/2x3/4 | 40x20 | 0.201 |
| 1.1/2x1 | 40x25 | 47.63 | 32.88 | 3.63 | 3.33 | 62.50 | 1.1/2x1 | 40x25 | 0.219 |
| 1.1/2x1.1/4 | 40x32 | 47.63 | 41.50 | 3.63 | 3.50 | 62.50 | 1.1/2x1.1/4 | 40x32 | 0.263 |
| 2x3/4 | 50x20 | 59.38 | 26.25 | 3.63 | 2.83 | 75.00 | 2x3/4 | 50x20 | 0.298 |
| 2x1 | 50x25 | 59.38 | 32.88 | 3.85 | 3.33 | 75.00 | 2x1 | 50x25 | 0.322 |
| 2x1.1/4 | 50x32 | 59.38 | 41.50 | 3.85 | 3.50 | 75.00 | 2x1.1/4 | 50x32 | 0.352 |
| 2x1.1/2 | 50x40 | 59.38 | 47.50 | 3.85 | 3.63 | 75.00 | 2x1.1/2 | 50x40 | 0.372 |
| 2.1/2x1 | 65x25 | 71.88 | 32.88 | 5.08 | 3.33 | 87.50 | 2.1/2x1 | 65x25 | 0.793 |
| 2.1/2x1.1/4 | 65x32 | 71.88 | 41.50 | 5.08 | 3.50 | 87.50 | 2.1/2x1.1/4 | 65x32 | 0.670 |
| 2.1/2x1.1/2 | 65x40 | 71.88 | 47.50 | 5.08 | 3.63 | 87.50 | 2.1/2x1.1/2 | 65x40 | 0.661 |
| 2.1/2x2 | 65x50 | 71.88 | 59.38 | 5.08 | 3.85 | 87.50 | 2.1/2x2 | 65x50 | 0.724 |
| 3x1 | 80x25 | 87.50 | 32.88 | 5.40 | 3.33 | 87.50 | 3x1 | 80x25 | 0.716 |
| 3x1.1/4 | 80x32 | 87.50 | 41.50 | 5.40 | 3.50 | 87.50 | 3x1.1/4 | 80x32 | 0.775 |
| 3x1.1/2 | 80x40 | 87.50 | 47.50 | 5.40 | 3.63 | 87.50 | 3x1.1/2 | 80x40 | 0.783 |
| 3x2 | 80x50 | 87.50 | 59.38 | 5.40 | 3.85 | 87.50 | 3x2 | 80x50 | 0.846 |
| 3x2.1/2 | 80x65 | 87.50 | 71.88 | 5.40 | 5.08 | 87.50 | 3x2.1/2 | 80x65 | 0.983 |
| 4x1.1/2 | 100x40 | 112.50 | 47.50 | 5.93 | 3.63 | 100.00 | 3x1.1/2 | 100x40 | 1.241 |
| 4x2 | 100x50 | 112.50 | 59.38 | 5.93 | 3.85 | 100.00 | 4x2 | 100x50 | 1.270 |
| 4x2.1/2 | 100x65 | 112.50 | 71.88 | 5.93 | 5.08 | 100.00 | 4x2.1/2 | 100x65 | 1.370 |
| 4x3 | 100x80 | 125.50 | 87.50 | 5.93 | 5.40 | 100.00 | 4x3 | 100x80 | 1.45 |

Note : 1. The shape of reducer size 16" and larger can be manufactured to conical type without the tangent.