

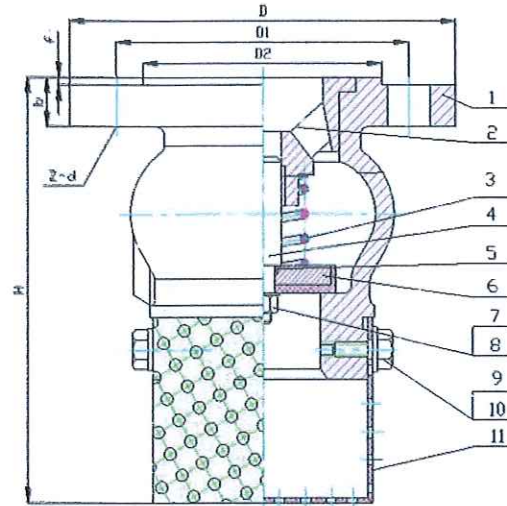
Fig : FVS-901 (Class 125)

Fig : FVS-902 (Class 10K)

Fig : FVS-903 (PN10)

### FOOT VALVE WITH STRAINER CONSTRUCTION :

Foot valve is basically a check valve fitted to the end of a suction pipe leading to a pump. Its purpose is to keep fluid trapped in the suction pipe when the pump stops, thus maintaining a suitable prime for the pump. When the pump restarts, the suction created opens the valve, giving full flow to the pump inlet.



### PRESSURE - TEMPERATURE RATINGS

<b>WORKING PRESSURE</b>	<b>10 Bars</b>
<b>TEST PRESSURE</b>	<b>16 Bars</b>
<b>SERVICE TEMPERATURE</b>	<b>80 °C</b>

### TECHNICAL FEATURES

1. Operates in any position from horizontal to vertical ascending or oblique pipelines to allow flow in one direction.
2. Minimum head loss.
3. Silent, reliable sealing.
4. Simple and robust design suitable for general applications.
5. Does not generate hammering.
6. The return spring ensures that the Foot Valve works in any position.
7. Closing system, long back axial guiding for reduced displacement.

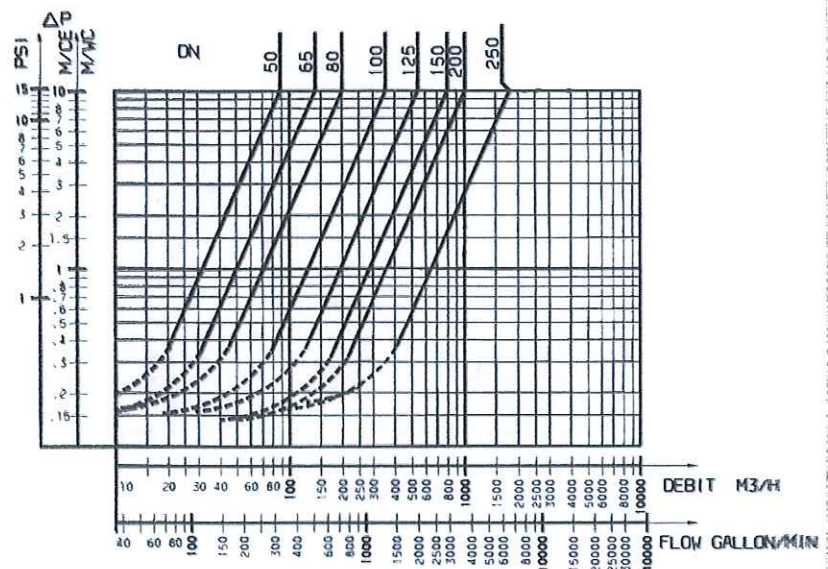
### MATERIALS

NO.	NAME of PARTS	SPECIFICATION
1	Body	Stainless Steel 304
2	Bonnet	Stainless Steel 304
3	Spring	Stainless Steel 304
4	Guiding Stem	Stainless Steel 304
5	Seat	NR / Viton
6	Disc	Stainless Steel 304
7,8	Nut, Washer	Stainless Steel 304
9,10	Nut, Washer	Stainless Steel 304
11	Sleeve	Stainless Steel 304

### DIMENSIONS

mm.

SIZE	DN	Height	Approx. W/kg.
2"	50	150	5
2.1/2"	65	180	8
3"	80	210	10
4"	100	250	13
5"	125	300	16
6"	150	350	18
8"	200	450	25
10"	250	550	40



\* Design and materials are subject to change without notice.