

Valve Design : API594

Valve Pressure Testing & Inspection : API598

Flange Connections : JIS10K, ANSI Class 125/150, DIN PN10/16

Dual plate check valve
Wafer type
SUS316 Plate

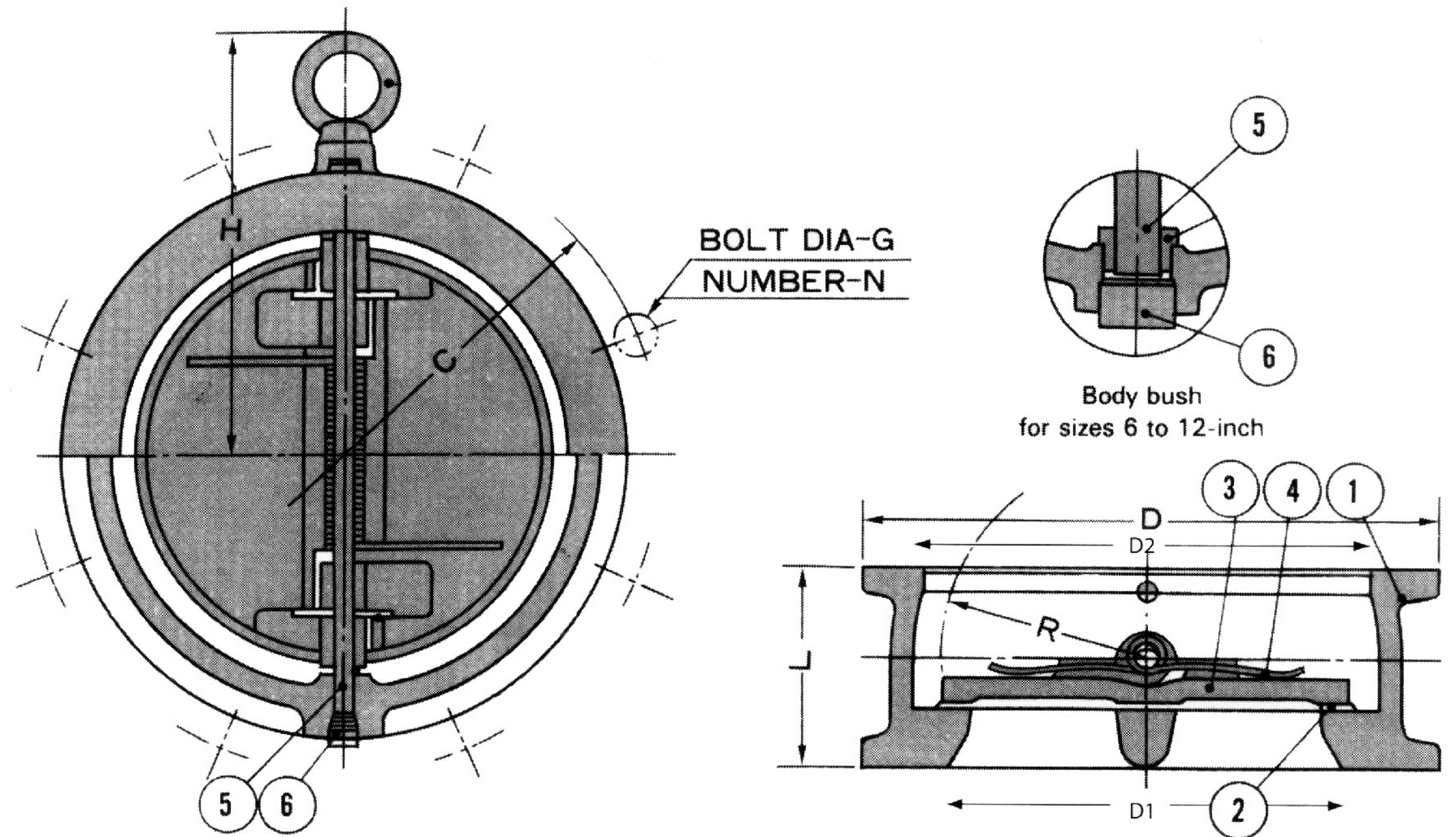


Fig. DCV - 603

APPLICATIONS

This valve is used for preventing the back-going of medium in pipelines & equipments and the pressure of medium will bring and closing automatically. When the medium is back-going, valve disc the result of opening will automatically close to avoid accidents.

FEATURES

- This valve is tightly sealed without leakage under the pressure water test.
- Safe and reliable in operation high interference resistance.
- Suitable mediums : Fresh water, Sewage, Sea water, Air, Steam, Food, Medicine, Oils, Acids, etc.

WORKING PRESSURE

NOMINAL DIAMETER (mm)		50 (2") - 600 (24")	
NOMINAL PRESSURE		SHELL	SEAT
Psi	150	350	232
Bar	10.3	24.1	16
MAX. WORKING TEMPERATURE		EPDM	120 °C
		NBR	80 °C

MATERIALS

NO.	NAME of PARTS	SPECIFICATION
1	Body	Cast Iron
2	Seal	EPDM, NBR
3	Disc	SUS316, SUS304
4	Stem	Stainless Steel
5	Spring	Stainless Steel
6	Screw	Reinforced Teflon

DIMENSION LIST & WEIGHT

SIZE		L	D	D1	D2	WEIGHT (Kg)
mm.	inch					
50	2"	43	107	40	65	1.5
65	2.1/2"	46	127	60	78	2.4
80	3"	64	142	70	94	3.6
100	4"	64	162	88	117	5.7
125	5"	70	192	115	145	7.3
150	6"	76	218	134	171	9.0
200	8"	89	273	182	222	17
250	10"	114	328	220	265	26
300	12"	114	378	260	310	42
350	14"	127	438	298	360	55
400	16"	140	489	350	410	75
450	18"	152	539	385	450	102
500	20"	152	594	438	505	107
600	24"	178	695	538	624	165

* Design and materials are subject to change without notice.