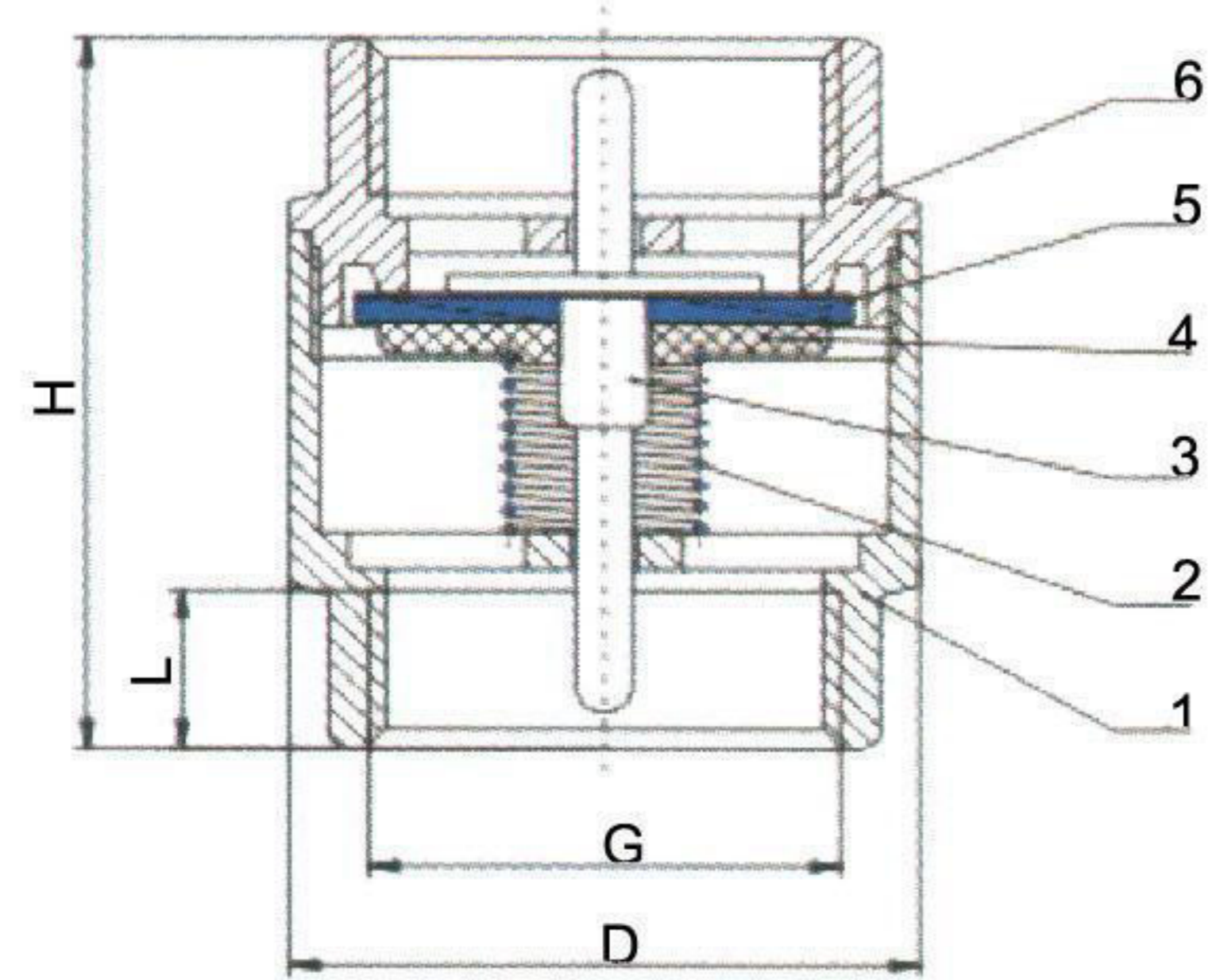


SPRING CHECK VALVE # CVSP-1002



- 1. Nominal Pressure : 200 Psi. W.O.G (1.6 Mpa)
- 2. Suitable Medium : Water, Oil, Gas
- 3. Working Temperature : $\leq 100^{\circ}\text{C}$
- 4. Thread : BS 21
- 5. Pressure Testing : ISO5208

NO.	COMPONENT	MATERIAL
1	Body	Brass
2	Spring	SUS304
3	Piston	Brass / PVC
4	Spring	PVC
5	Seal Gasket	EPDM
6	Bonnet	Brass

DN	G	D	L	H
15	1/2"	33.5	10.3	47
20	3/4"	37.5	11.5	50.4
25	1"	45.4	12.9	52.7
32	1.1/4"	56.2	14.5	65.5
40	1.1/2"	66.2	13.9	68.3
50	2"	78.2	14.1	77
65	2.1/2"	98.4	25.3	101
80	3"	111	23.1	103
100	4"	144.5	25	113