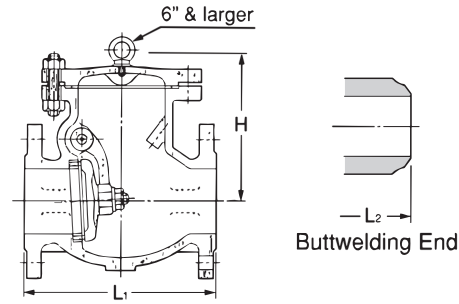


Fig. 150SCOS



Class 150



Bolted cover, Swing type disc.

Standard materials of parts

| Parts          | Materials   |
|----------------|---|
| Body           | ASTM A216 Gr.WCB  |
| Cover          | A105/ASTM A216 Gr.WCB   |
| Disc           | ASTM A182 Gr.F6a ( 1 1/2" ~ 6" )<br>ASTM A216 Gr.WCB+13Cr (8" & larger) |
| Disc nut       | ASTM A194 Gr.8  |
| Body seat ring | ASTM A105+HF  |
| Cover bolt/nut | ASTM A193 Gr.B7/A194 Gr.2H  |
| Arm            | ASTM A105 ( 1 1/2" ~ 14" )<br>ASTM A216 Gr.WCB (16" & larger)           |
| Gasket         | Compressed asbestos   |
| Plug           | ASTM A576 Gr.1045   |

Dimensions

| Valve Size     | inch<br>mm | mm    |      |       |      |       |       |       |       |       |       |       |       |       |       |       |       |       |       |       |
|----------------|------------|-------|------|-------|------|-------|-------|-------|-------|-------|-------|-------|-------|-------|-------|-------|-------|-------|-------|-------|
|                |            | 1 1/2 | 2    | 2 1/2 | 3    | 4     | 5     | 6     | 8     | 10    | 12    | 14    | 16    | 18    | 20    | 22    | 24    | 26    | 28    | 30    |
| L <sub>1</sub> | in.        | 6.50  | 8.00 | 8.50  | 9.50 | 11.50 | 13.00 | 14.00 | 19.50 | 24.50 | 27.50 | 31.00 | 34.00 | 38.50 | 38.50 | 42.00 | 51.00 | 51.00 | 57.00 | 60.00 |
|                | mm         | 165   | 203  | 216   | 241  | 292   | 330   | 356   | 495   | 622   | 698   | 787   | 864   | 978   | 978   | 1067  | 1295  | 1295  | 1448  | 1524  |
| L <sub>2</sub> | in.        | 6.50  | 8.00 | 8.50  | 9.50 | 11.50 | 13.00 | 14.00 | 19.50 | 24.50 | 27.50 | 31.00 | 34.00 | 38.50 | 38.50 | 42.00 | 51.00 | 51.00 | 57.00 | 60.00 |
|                | mm         | 165   | 203  | 216   | 241  | 292   | 330   | 356   | 495   | 622   | 698   | 787   | 864   | 978   | 978   | 1067  | 1295  | 1295  | 1448  | 1524  |
| H              | in.        | 5.3   | 6.0  | 6.7   | 7.1  | 7.9   | 9.25  | 9.8   | 11.6  | 13.2  | 14.5  | 16.3  | 18.1  | 20.1  | 21.7  | 23.0  | 24.8  | 26.8  | 28.2  | 29.9  |
|                | mm         | 135   | 152  | 170   | 180  | 200   | 235   | 250   | 295   | 334   | 368   | 415   | 460   | 510   | 550   | 585   | 630   | 680   | 716   | 760   |