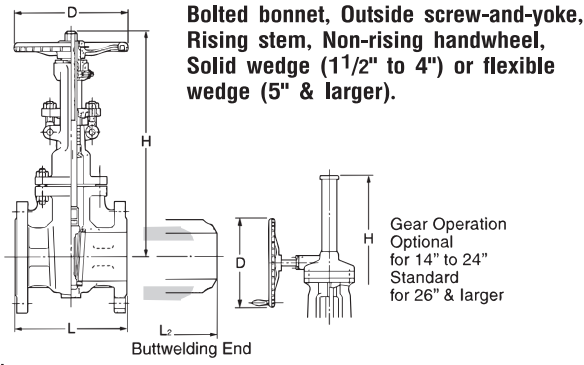


Fig. 150SCLS



Class 150



Standard materials of parts

Parts	Materials
Body	ASTM A216 Gr.WCB
Bonnet	ASTM A216 Gr.WCB
Stem	ASTM A182 Gr.F6a
Disc	ASTM A182 Gr.F6a (1 1/2" - 4") ASTM A216 Gr.WCB+13Cr (5" & larger)
Body seat ring	ASTM A105 +HF
Gland	ASTM A182 Gr.F6a
Gland packing	Non asbestos
Gland flange	ASTM A105
Handwheel	Ductile iron
Gasket	Non asbestos
Bonnet bolt/nut	ASTM A193 Gr.B7/A194 Gr.2H
Gland bolt/nut	ASTM A576 Gr.1045/A194 Gr.2H
Bonnet bush	ASTM A182 Gr.F6a
Yoke sleeve	ASTM A439 Tp.D2
Grease nipple	Carbon steel

Dimensions

Valve Size	inch mm	mm																					
		1 1/2 40	2 50	2 1/2 65	3 80	4 100	5 125	6 150	8 200	10 250	12 300	14 350	16 400	18 450	20 500	22 550	24 600	26 650	28 700	30 750	32 800	34 850	36 900
L ₁	in.	6.50	7.00	7.50	8.00	9.00	10.00	10.50	11.50	13.00	14.00	15.00	16.00	17.00	18.00	19.00	20.00	22.00	24.00	24.00	26.00	28.00	28.00
	mm	165	178	190	203	229	254	267	292	330	356	381	406	432	457	483	508	559	610	610	660	711	711
L ₂	in.	-	8.50	9.50	11.14	12.00	15.00	15.86	16.50	18.00	19.76	22.50	24.00	26.00	28.00	30.00	32.00	34.00	36.00	36.00	38.00	40.00	40.00
	mm	-	216	241	283	305	381	403	419	457	502	572	610	660	711	762	813	864	914	914	965	1016	1016
H	in.	13.8	15.1	16.9	20.0	23.1	25.9	29.8	37.7	45.7	53.6	60.0	66.7	74.3	83.5	91.6	98.1	111.0	116.7	126.4	133.9	140.2	145.7
	mm	351	383	430	507	587	658	757	958	1162	1361	1523	1693	1887	2120	2326	2492	2820	2965	3210	3400	3560	3700
D	in.	7.1	7.9	7.9	9.8	9.8	11.8	11.8	13.8	15.7	17.7	19.7	23.6	23.6	26.8	26.8	29.9	19.7	23.6	23.6	23.6	23.6	23.6
	mm	180	200	200	250	250	300	300	350	400	450	500	600	600	680	680	760	500	600	600	600	600	600