

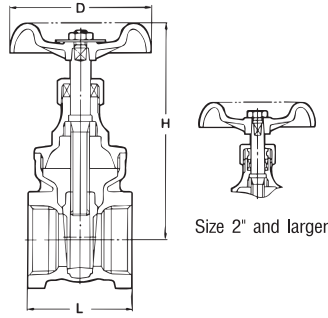
Fig. FH



Class 125

FH... Threaded ends to BS21

Screwed bonnet, Non-rising stem, Solid wedge disc, Integral seats, Threaded ends to BS21 or NPT, or solder joint ends.*



Size 2" and larger

★ Caution

Solder joint end valves should not be used in service where the temperature of the line fluid is higher than the softening point of solder.

**1.38 MPa (200 psi) W.O.G. non-shock
0.86 MPa (125 psi) S.P. saturated**

Materials

Parts	Material
Body	Brass
Bonnet	Brass
Stem	K-Metal [☆]
Disc	Brass
Packing nut	Brass
Gland*	Brass rod
Gland packing	Aramid fiber PTFE
Lock nut	Brass rod
Handwheel	Die-cast zinc (1/4"~1 1/4") Die-cast aluminum (1 1/2"~3")

[☆] K-Metal is a special brass developed for anti-dezincification.

* Size 2" and larger.

Dimensions

Valve size		inch	1/4	3/8	1/2	3/4	1	1 1/4	1 1/2	2	2 1/2	3
		mm	8	10	15	20	25	32	40	50	65	80
L	Threaded end to end		35	38	42	47	50	60	63	72	82	92
L ₁	Solder end to end		-	37	45	60	70	77	86	104	115	127
H	Height (FH/AKFH)		70	73	73	87	97	118	126	154	187	205
D	Handwheel diam.		50	50	50	55	60	70	80	90	100	115
G			-	9.7	12.7	19.1	23.1	24.6	27.7	34.0	37.4	42.2

Test pressure:

Shell 2.07 MPa (300 psi) (Hydrostatic)

Seat 1.38 MPa (200 psi) (Hydrostatic)

Seat 0.55 MPa (80 psi) (Air)

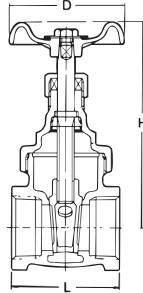
Fig. H



Class 125

H... Threaded ends to BS21

Inside screw, Non-rising stem, Screwed-over-Bonnet,* Solid wedge disc, Threaded ends to BS21 or NPT, or solder joint ends.*



* Screwed bonnet for 2 1/2" & larger sizes

★ Caution

Solder joint end valves should not be used in service where the temperature of the line fluid is higher than the softening point of solder.

**1.38 MPa (200 psi) W.O.G. non-shock
0.86 MPa (125 psi) S.P. saturated**

Materials

Parts	Material
Body	Bronze
Bonnet	Bronze
Stem	K-Metal [☆]
Disc	Bronze / K-Metal ^{☆*}
Lock nut	Brass rod
Packing nut	Brass
Gland**	Brass rod
Gland packing	Aramid fiber PTFE
Handwheel	Die-cast zinc (3/8"~1 1/4") Die-cast aluminum (1 1/2"~4")

[☆] K-Metal is a special brass developed for anti-dezincification.

* 3/8" and 1/2" for H.

** Size 1 1/2" and larger.

Dimensions

Valve size		inch	3/8	1/2	3/4	1	1 1/4	1 1/2	2	2 1/2	3	4
		mm	10	15	20	25	32	40	50	65	80	100
L	Threaded end to end		42	45	50	57	61	67	74	90	100	121
L ₁	Solder end to end		39	46	61	72	78	87	102	115	130	173
H	Height		74	80	90	105	118	135	159	202	223	280
D	Handwheel diam.		50	50	55	60	70	80	90	115	135	155
G			9.7	12.7	19.1	23.1	24.6	27.7	34	37.4	42.2	54.9

Test pressure:

Shell 2.07 MPa (300 psi) (Hydrostatic)

Seat 1.38 MPa (200 psi) (Hydrostatic)

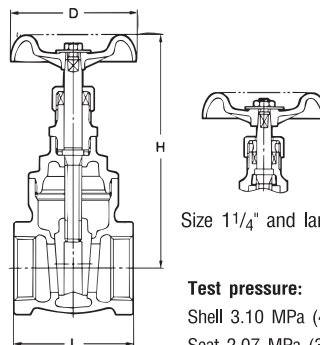
Seat 0.55 MPa (80 psi) (Air)

Fig. E



Class 150

Inside screw, Non-rising stem, Screwed Bonnet, Solid wedge disc, Threaded ends to BS21.



Size 1 1/4" and larger

Test pressure:

Shell 3.10 MPa (450 psi) (Hydrostatic)

Seat 2.07 MPa (300 psi) (Hydrostatic)

**2.07 MPa (300 psi) W.O.G. non-shock
1.03 MPa (150 psi) S.P. saturated**

Materials

Parts	Material
Body	Bronze
Bonnet	Brass / bronze*
Stem	K-Metal [☆]
Disc	Bronze
Packing nut	Brass
Gland**	Brass rod
Gland packing	Aramid fiber PTFE
Stuffing box	Brass rod / brass
Handwheel	Die-cast zinc (3/8"~1") Die-cast aluminum (1 1/4"~3")

[☆] K-Metal is a special brass developed for anti-dezincification.

* Bronze for 2 1/2" and larger.

** Size 1 1/4" and larger.

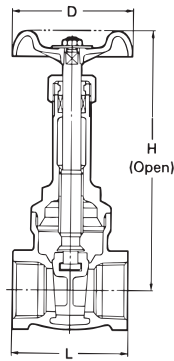
Dimensions

Valve size		inch	3/8	1/2	3/4	1	1 1/4	1 1/2	2	2 1/2	3
		mm	10	15	20	25	32	40	50	65	80
L	End to end		43	48	53	62	69	75	86	105	116
H	Height		86	96	111	122	141	164	197	225	261
D	Handwheel diam.		50	55	60	70	80	90	100	115	135

Screwed bonnet, rising stem, Solid wedge disc, Integral seat,

1.38 MPa (200 psi) W.O.G. non-shock
 0.86 MPa (125 psi) S.P. saturated

Fig. 125M



Test pressure:
 Shell 2.07 MPa (300 psi) (Hydrostatic)
 Seat 1.38 MPa (200 psi) (Hydrostatic)
 Seat 0.55 MPa (80 psi) (Air)

Materials

Parts	Material
Body	Bronze
Bonnet	Bronze
Stem	Bronze
Disc	Bronze
Packing nut	Brass
Gland	Brass rod
Gland packing	Aramid fiber PTFE
Handwheel	Die-cast zinc (1/2"~1") Die-cast aluminum (1 1/4"~3")

Dimensions

Valve size	inch	1/2	3/4	1	1 1/4	1 1/2	2	2 1/2	3	mm
	mm	15	20	25	32	40	50	65	80	
L Threaded end to end		51	56	66	68	74	84	115	130	
L1 Solder end to end		49	64	76	82	86	109	-	-	
H Height, valve open		129	155	180	216	257	296	371	432	
D Handwheel diam.		55	60	70	80	90	100	135	155	
G		12.7	19.1	23.1	24.6	27.7	34	-	-	