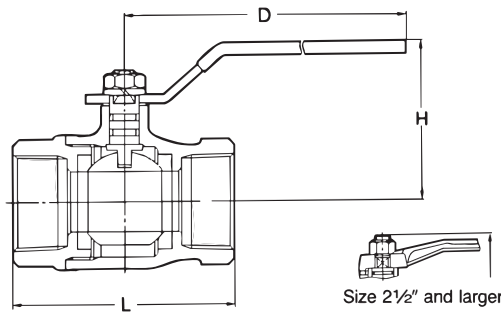


Fig. T



Type 400

Screwed body cap, PTFE seats, Blowout-proof stem, Threaded ends to BS21 or NPT.



2.76 MPa (400 psi) W.O.G. non-shock
0.69 MPa (100 psi) W.O.G. 150°C

Materials

| Parts | Material |
|-----------|--|
| Body | Brass/bronze* |
| Body cap | Brass/bronze* |
| Stem | K-Metal [☆] |
| Ball | Brass (chrome plated) |
| Ball seat | PTFE |
| O-ring | FPM |
| Handle | 1/4"~2" Stainless steel (vinyl grip) 2 1/2"~4" Ductile iron |

[☆] K-Metal is a special brass developed for anti-dezincification.
* Bronze for 4".

Dimensions

| Valve size | inch | 1/4 | 3/8 | 1/2 | 3/4 | 1 | 1 1/4 | 1 1/2 | 2 | 2 1/2 | 3 | 4 |
|------------|------------------|-----|-----|-----|-----|-----|-------|-------|-----|-------|-----|-----|
| | mm | 8 | 10 | 15 | 20 | 25 | 32 | 40 | 50 | 65 | 80 | 100 |
| Bore size | | 10 | 10 | 10 | 15 | 20 | 25 | 32 | 40 | 50 | 65 | 80 |
| L | End to end | 50 | 50 | 65 | 68 | 79 | 86 | 96 | 109 | 127 | 153 | 179 |
| H | Height | 45 | 45 | 45 | 50 | 55 | 60 | 65 | 75 | 91 | 105 | 124 |
| D | Length of handle | 80 | 80 | 100 | 100 | 130 | 130 | 130 | 150 | 200 | 300 | 400 |

Test pressure:

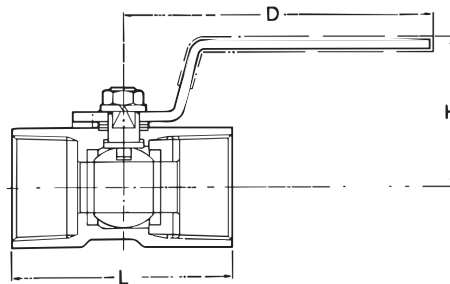
Shell 4.14 MPa (600 psi) (Hydrostatic)
Seat 0.55 MPa (80 psi) (Air)

Fig. TK



Type 600

One-piece body, Reinforced PTFE seats, Blowout-proof stem, Threaded ends to BS21 or NPT.



4.14 MPa (600 psi) W.O.G. non-shock
1.03 MPa (150 psi) W.O.G. 150°C

Materials

| Parts | Material |
|---------------|------------------------------|
| Body | Brass |
| Stem | K-Metal [☆] |
| Ball | Brass (chrome plated) |
| Ball seat | Reinforced PTFE |
| Gland packing | Reinforced PTFE |
| Handle | Stainless steel (vinyl grip) |

[☆] K-Metal is a special brass developed for anti-dezincification.

TK... Threaded ends to BS21

Dimensions

| Valve size | inch | 1/8 | 1/4 | 3/8 | 1/2 | 3/4 | 1 | 1 1/4 | 1 1/2 | 2 |
|------------|------------------|-----|-----|-----|------|------|-----|-------|-------|-----|
| | mm | 6 | 8 | 10 | 15 | 20 | 25 | 32 | 40 | 50 |
| Bore size | | 4.5 | 5 | 7 | 9.2 | 12.5 | 16 | 20 | 24.5 | 32 |
| L | End to end | 32 | 39 | 44 | 56.5 | 59 | 71 | 78 | 83 | 100 |
| H | Height | 31 | 31 | 36 | 41 | 44 | 48 | 54 | 65 | 72 |
| D | Length of handle | 60 | 60 | 70 | 85 | 85 | 100 | 100 | 125 | 125 |

Test pressure:

Shell 6.20 MPa (900 psi) (Hydrostatic)
Seat 0.55 MPa (80 psi) (Air)

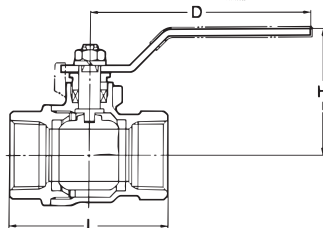
Fig. AKTAF



Type 600

Screwed body cap, Blowout-proof stem, PTFE seat, Threaded ends to NPT.

Specifications : MSS-SP-110
Approvals : American Gas Association, USA
 Canadian Gas Association, CANADA
 Underwriters Laboratories, USA
 Factory Mutual Engineering, USA



4.14 MPa (600 psi) W.O.G. non-shock
1.03 MPa (150 psi) W.S.P. saturated

Materials

| Parts | Material |
|---------------|------------------------------|
| Body | Brass/bronze* |
| Cap | Brass/bronze* |
| Stem | K-Metal [☆] |
| Ball | Brass/bronze (chrome plated) |
| Ball seat | PTFE |
| Gland packing | PTFE |
| Handle | Carbon steel |

[☆] K-Metal is a special brass developed for anti-dezincification.
* Bronze for 2 1/2" and larger.

Test pressure: Shell 6.20 MPa (900 psi) (Hydrostatic)

Seat 0.55 MPa (80 psi) (Air)

Dimensions

| Valve size | inch | 1/4 | 3/8 | 1/2 | 3/4 | 1 | 1 1/4 | 1 1/2 | 2 | 2 1/2 | 3 | 4 |
|------------|---------------------|-----|-----|-----|-----|-----|-------|-------|-----|-------|-----|-----|
| | mm | 8 | 10 | 15 | 20 | 25 | 32 | 40 | 50 | 65 | 80 | 100 |
| L | Threaded end to end | 41 | 42 | 53 | 60 | 72 | 82 | 92 | 105 | 135 | 156 | 192 |
| H | Height | 39 | 39 | 42 | 51 | 58 | 64 | 73 | 80 | 108 | 122 | 140 |
| D | Length of handle | 80 | 80 | 80 | 100 | 130 | 130 | 150 | 150 | 200 | 300 | 300 |

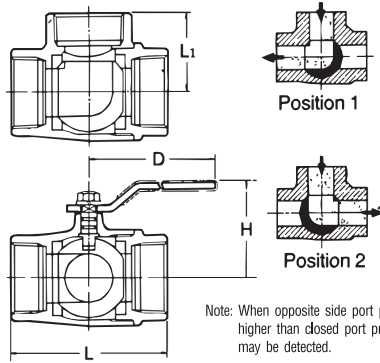
**3-Way body, Screwed body cap, L-port ball, PTFE seats
Blowout-proof stem, Threaded ends to BS21 or NPT, or
solder joint ends.***

2.76 MPa (400 psi) W.O.G. non-shock
0.69 MPa (100 psi) W.O.G. 150°C

Fig. TN



TYPE 400



Note: When opposite side port pressure is higher than closed port pressure, a little leakage may be detected.

★ Caution

Solder joint end valves should not be used in service where the temperature of the line fluid is higher than the softening point of solder.

Materials

| Parts | Material |
|-----------------|------------------------------|
| Body | Brass/bronze* |
| Body cap | Brass |
| Stem | K-Metal [☆] |
| Ball | Brass (chrome plated) |
| Ball seat | PTFE |
| O-ring | FPM |
| Handle(1/2"~2") | Stainless steel (vinyl grip) |
| (2 1/2"~3") | Ductile iron |

[☆] K-Metal is a special brass developed for anti-dezincification.
* Bronze for 2 1/2" and larger.

Test pressure:

Shell 4.14 MPa (600 psi) (Hydrostatic)
Seat 0.55 MPa (80 psi) (Air)

Dimensions

| Valve size | inch mm | mm | | | | | | | | | |
|----------------|---------------------|----------|-----------|-----------|-----------|---------|-------------|-------------|---------|-------------|---------|
| | | 1/4 8 | 3/8 10 | 1/2 15 | 3/4 20 | 1 25 | 1 1/4 32 | 1 1/2 40 | 2 50 | 2 1/2 65 | 3 80 |
| Bore size | | 4.5 | 6.8 | 10 | 15 | 20 | 25 | 32 | 40 | 50 | 65 |
| L | Threaded end to end | 40 | 46 | 67 | 68 | 79 | 89 | 100 | 115 | 138 | 166 |
| L ₁ | Center to end | 20 | 23 | 33.5 | 34 | 39.5 | 44.5 | 50 | 57.5 | 69 | 83 |
| L ₂ | Solder end to end | - | - | 56 | 74 | 88 | 99 | 114 | 136 | - | - |
| H | Height | 30 | 34 | 45 | 48 | 55 | 60 | 65 | 75 | 91 | 105 |
| D | Length of handle | 60 | 80 | 100 | 100 | 130 | 130 | 130 | 150 | 200 | 300 |
| G | | - | - | 12.7 | 19.1 | 23.1 | 24.6 | 27.7 | 34.0 | - | - |