



บริษัท อุดมกิจ ฟิตติ้ง วาล์ว จำกัด

UDOMKIT FITTING VALVE CO., LTD.

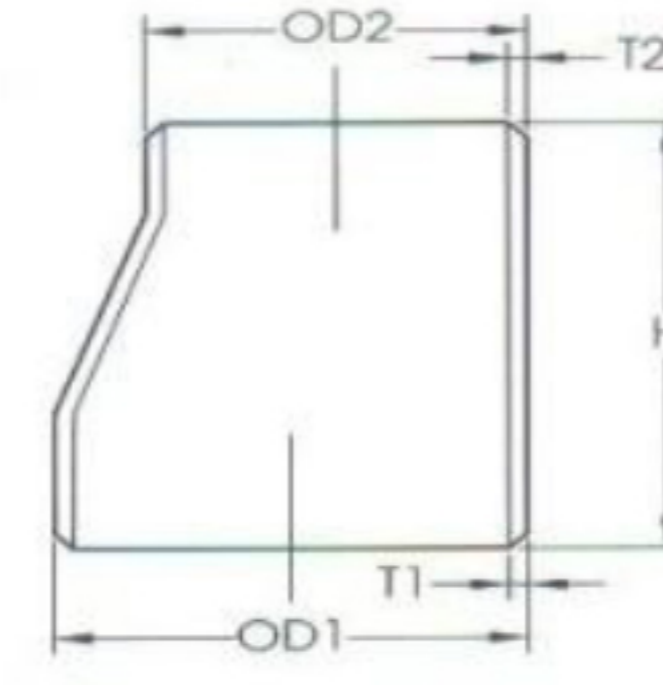
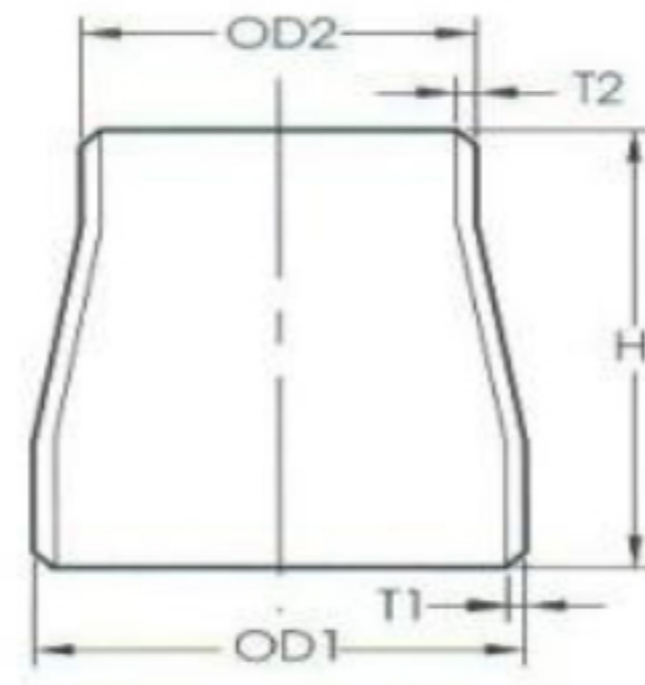
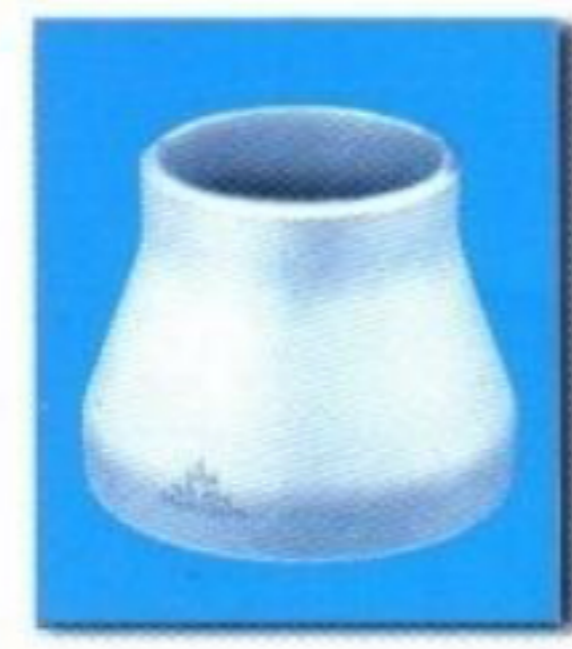
12/4 ซอยสุขสวัสดิ์ 15/1 ถนนสุขสวัสดิ์ แขวงบางปะกอก เขตราชบุรีบูรณะ กรุงเทพฯ 10140

โทร. 02-4282114 แฟกซ์ 02-4282125

E-mail : ugroups@hotmail.com Website : <http://www.udomkit.com>

ศูนย์รวมอุปกรณ์ ท่อ วาล์ว และวัสดุโรงงานทุกชนิด

ECC.,CON REDUCERS STEEL, SEAM AND SEAMLESS



Dimension (Unit : mm) Weight (Unit : Kg)

Nominal Pipe Size		Outside Dia. OD1	Outside Dia. OD2	Wall Thickness (T1, T2)				Length H
in	mm			Sch.40S		Sch.80S		
				T1	T2	T1	T2	
3/4×1.1/2	20×15	27.20	21.70	2.90	2.80	3.90	3.70	38.10
1×1/2	25×15	34.00	21.70	3.40	2.80	4.50	3.70	50.80
1×3/4	25×20	34.00	27.20	3.40	2.90	4.50	3.90	50.80
1.1/4×1	32×25	42.70	34.00	3.60	3.90	4.90	4.50	58.00
1.1/2×1/2	40×15	48.60	21.70	3.70	2.80	-	-	63.50
1.1/2×3/4	40×20	48.60	27.20	3.70	2.90	5.10	3.90	63.50
1.1/2×1	40×25	48.60	34.00	3.70	3.40	5.10	4.50	63.50
1.1/2×1.1/4	40×32	48.60	42.70	3.70	3.60	5.10	4.90	63.50
2×3/4	50×20	48.60	27.20	3.90	2.90	-	-	76.20
2×1	50×25	60.50	34.00	3.90	3.40	5.50	4.50	76.20
2×1.1/4	50×32	60.50	42.70	3.90	3.60	5.50	4.90	76.20
2×1.1/2	50×40	60.50	48.60	3.90	3.70	5.50	5.10	88.90
2.1/2×1	65×25	60.50	34.00	5.20	3.40	-	-	88.90
2.1/2×1.1/4	65×32	76.30	42.70	5.20	3.60	7.00	4.90	88.90
2.1/2×1.1/2	65×40	76.30	48.60	5.20	3.70	7.00	5.10	88.90
2.1/2×2	65×50	76.30	60.50	5.50	3.90	7.00	5.50	88.90
3×1	80×25	76.30	34.00	5.50	3.40	-	-	88.90
3×1.1/4	80×32	89.10	42.70	5.50	3.60	-	-	88.90
3×1.1/2	80×40	89.10	48.60	5.50	3.70	7.60	5.10	88.90
3×2	80×50	89.10	60.50	5.50	3.90	7.60	5.50	88.90
3×2.1/2	80×65	89.10	76.30	5.50	5.20	7.60	7.00	88.90
4×1.1/2	100×40	89.10	48.60	6.00	3.70	-	-	101.60
4×2	100×50	114.30	60.50	6.00	3.90	8.60	5.50	101.60
4×2.1/2	100×65	114.30	76.30	6.00	5.20	8.60	7.00	101.60
4×3	100×80	114.30	89.10	6.00	5.50	8.60	7.60	101.60
5×3.1/2	125×80	139.80	89.10	6.60	5.50	9.50	8.10	127.00
5×4	125×100	139.80	114.30	6.60	6.00	9.50	8.60	127.00
6×2.1/2	150×65	165.20	76.30	7.10	5.20	-	-	139.70
6×3	150×80	165.20	89.10	7.10	5.50	11.00	7.60	139.70
6×4	150×100	165.20	114.30	7.10	6.00	11.00	8.60	139.70
6×5	150×125	165.20	139.80	7.10	6.60	11.00	9.60	152.40
8×4	200×100	216.30	114.30	8.20	6.00	12.70	8.60	152.40
8×5	200×125	216.30	139.80	8.20	6.60	12.70	9.50	152.40
8×6	200×125	216.30	165.20	8.20	7.10	12.70	11.00	152.40
10×5	250×125	267.40	139.80	9.30	6.60	15.10	9.50	177.80
10×6	250×150	267.40	165.20	9.30	7.10	15.10	11.00	177.80
10×8	250×200	267.40	216.30	9.30	8.20	15.10	12.70	177.80
12×6	300×150	318.50	165.20	10.30	7.10	17.40	11.00	203.20
12×8	300×200	318.50	216.30	10.30	8.20	17.40	12.70	203.20
12×10	300×250	318.50	267.40	10.30	9.30	17.40	15.10	203.20

Nominal Pipe Size		Sch.40S	Sch.80S
in	mm		
3/4×1.1/2	20×15	0.060	0.070
1×1/2	25×15	0.100	0.120
1×3/4	25×20	0.110	0.140
1.1/4×1	32×25	0.150	0.200
1.1/2×1/2	40×15	-	-
1.1/2×3/4	40×20	0.180	0.240
1.1/2×1	40×25	0.210	0.270
1.1/2×1.1/4	40×32	0.240	0.320
2×3/4	50×20	0.380	-
2×1	50×25	0.300	0.400
2×1.1/4	50×32	0.340	0.450
2×1.1/2	50×40	0.360	0.490
2.1/2×1	65×25	0.620	-
2.1/2×1.1/4	65×32	0.530	0.700
2.1/2×1.1/2	65×40	0.570	0.750
2.1/2×2	65×50	0.640	0.850
3×1	80×25	0.860	-
3×1.1/4	80×32	0.920	-
3×1.1/2	80×40	0.650	0.870
3×2	80×50	0.720	0.980
3×2.1/2	80×65	0.910	1.210
4×1.1/2	100×40	-	-
4×2	100×50	1.020	1.420
4×2.1/2	100×65	1.260	1.710
4×3	100×80	13.80	1.900
5×3.1/2	125×80	2.050	3.080
5×4	125×100	2.380	3.340
6×2.1/2	150×65	-	-
6×3	150×80	2.620	3.780
6×4	150×100	3.000	4.380
6×5	150×125	3.430	5.030
8×4	200×100	6.180	6.180
8×5	200×125	4.910	7.130
8×6	200×125	5.260	7.960
10×5	250×125	6.390	10.300
10×6	250×150	7.480	11.600
10×8	250×200	8.940	13.900
12×6	300×150	10.200	16.200
12×8	300×200	12.000	19.000
12×10	300×250	13.900	22.500

Note : 1. The shape of reducer size 16" and larger can be manufactured to conical type without the tangent.